





# 1 ROUREG™ CONTACT

- Fail secure (power to open)
- with microswitch (door status sensor)





GC6





## CHARACTERISTICS

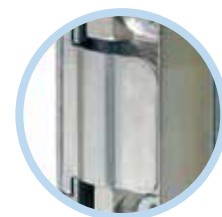
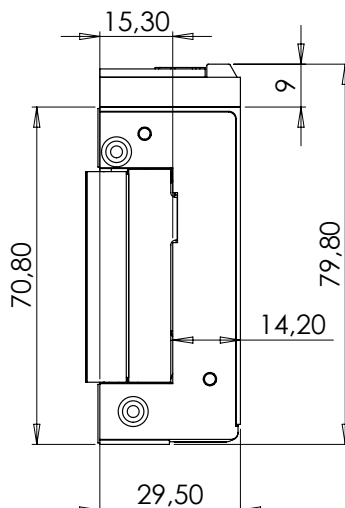
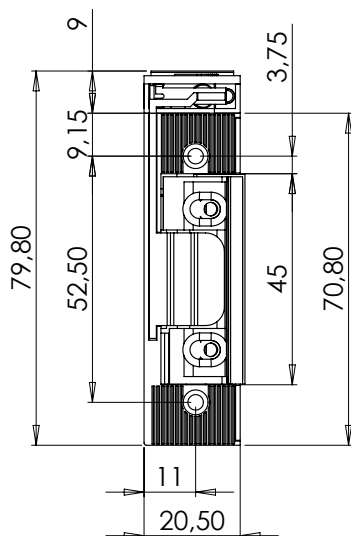
	79,8 x 20,5 x 29,5	
		
8-12V AC/DC	700-960 mA	
12V DC	200 mA	
24V AC/DC	390-490 mA	
24V DC	120 mA	
	125V AC - 0,1 A / 12V DC - 2 A	

# 1 ROUREG™ CONTACT

<b>SE000246</b>	Electric strike 1 ROUREG 12 V AC/DC + contact fail secure	 0,2 kg
<b>SE000249</b>	Electric strike 1 ROUREG 12 V DC + contact fail secure	 0,2 kg
<b>SE000250</b>	Electric strike 1 ROUREG 24V DC + contact fail secure	 0,2 kg
<b>SE000251</b>	Electric strike 1 ROUREG 24V AC/DC + contact fail secure	 0,2 kg

# 1 ROUREG™ DIODE CONTACT

<b>SE000261</b>	Electric strike 1 ROUREG diode 12 V DC + contact fail secure	 0,2 kg
<b>SE000262</b>	Electric strike 1 ROUREG diode 24V DC + contact fail secure	 0,2 kg



CONTACT